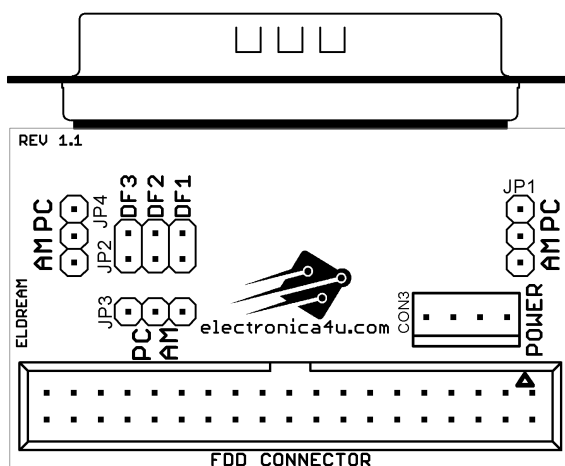
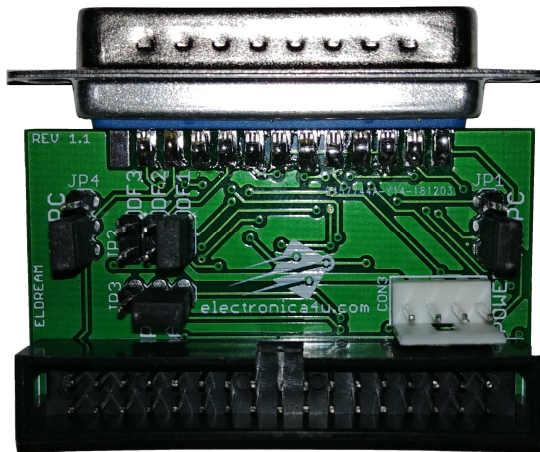




# AMIGA External Floppy Drive (PC FDD or GOTEK) adapter (REV 1.1)

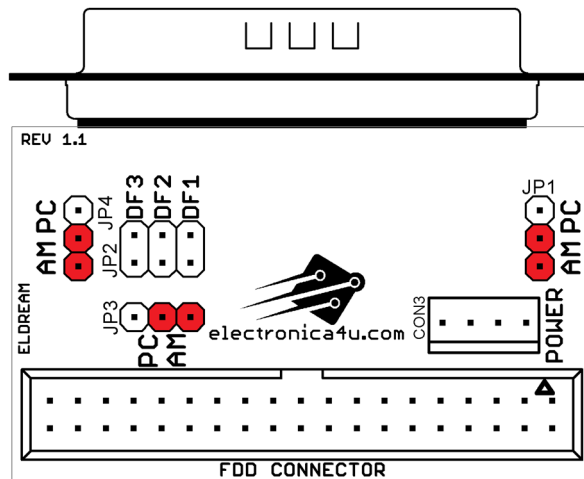
(Add a second floppy drive to your Amiga)



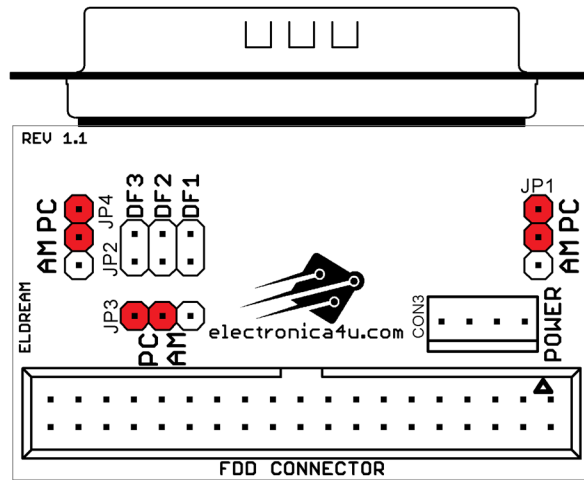
PIN 1

JUMPERS	
JP1, JP3 , JP4	Set interface for PC compatible floppy drive or GOTEK floppy emulator
JP2	Set AMIGA floppy index DF1-DF3 (AMIGA CDTV : DF0-DF2)
FDD CONNECTOR	To connect floppy drive using 34 pin ribbon cable (cable included)
POWER	To connect power supply (cable included)


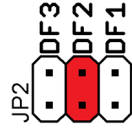
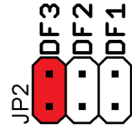
Jumpers JP1,JP3,JP4 configuration for GOTEK floppy emulator (with AMIGA firmware).



Jumpers JP1,JP3,JP4 configuration for PC compatible floppy drives.



Jumper JP2 configuration : set AMIGA floppy index (must be set).

Floppy visible as DF1 (DF0 for AMIGA CDTV) :	
Floppy visible as DF2 (DF1 for AMIGA CDTV) :	
Floppy visible as DF3 (DF2 for AMIGA CDTV) :	

Amiga port to which we connect the adapter :

