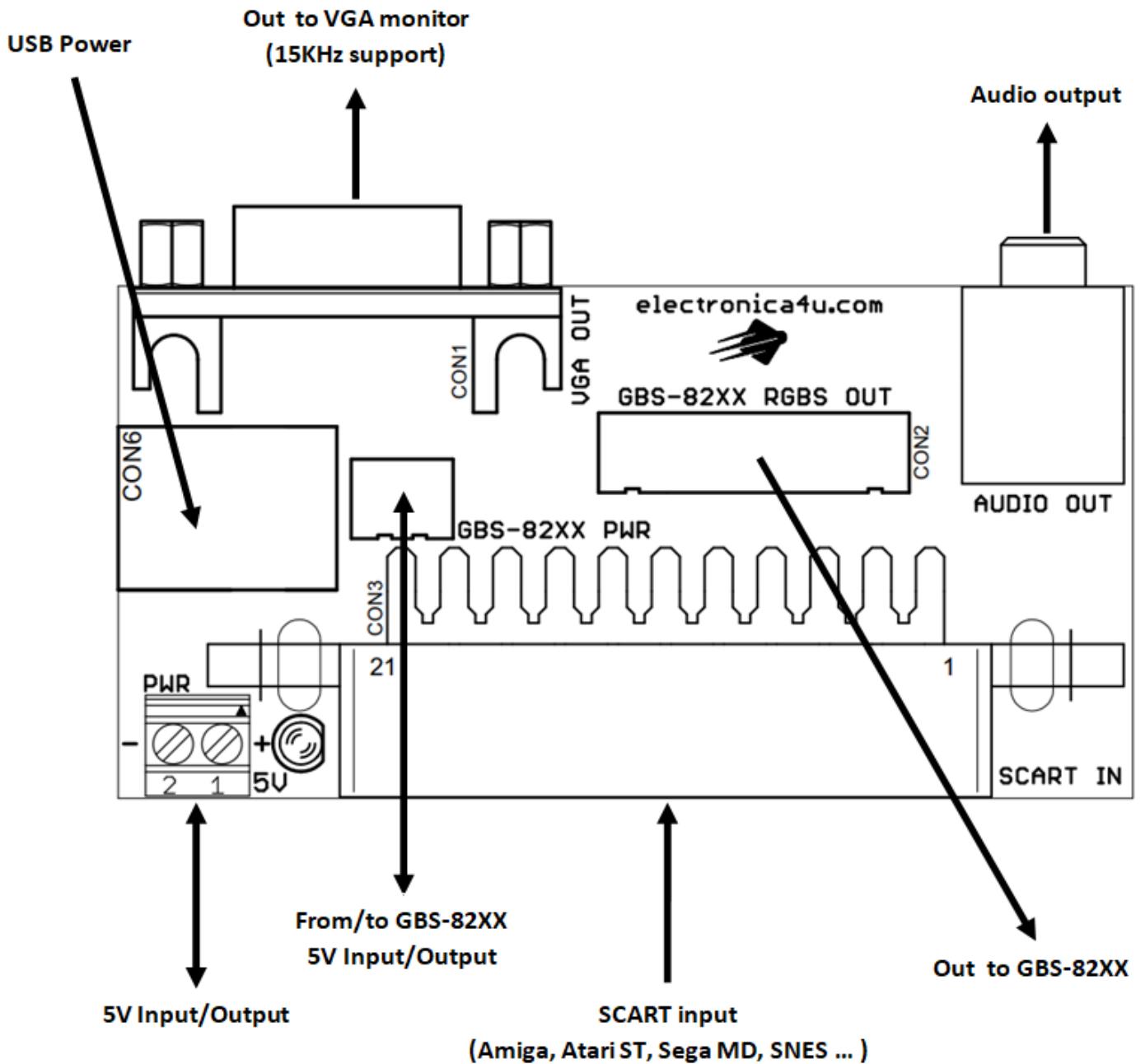
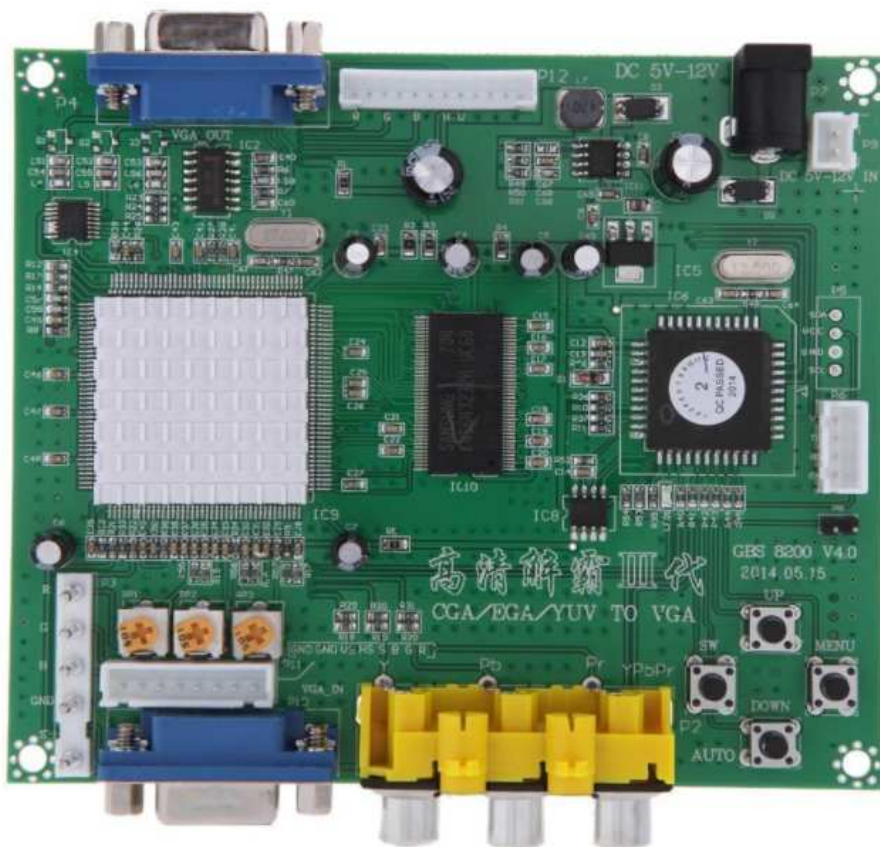


electronica4u

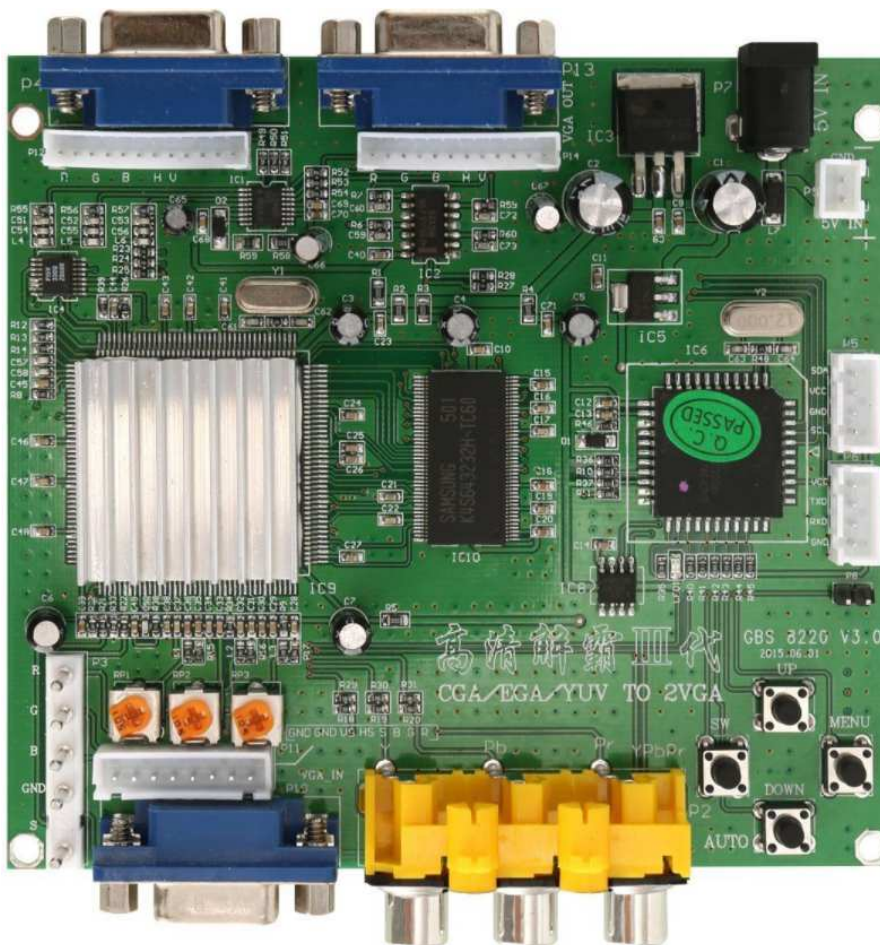
SCART (R,G,B,Csync) to GBS-82XX and VGA (15KHz support) adapter.



There are two versions of the scaler : GBS-8200 and GBS-8220.



GBS-8200

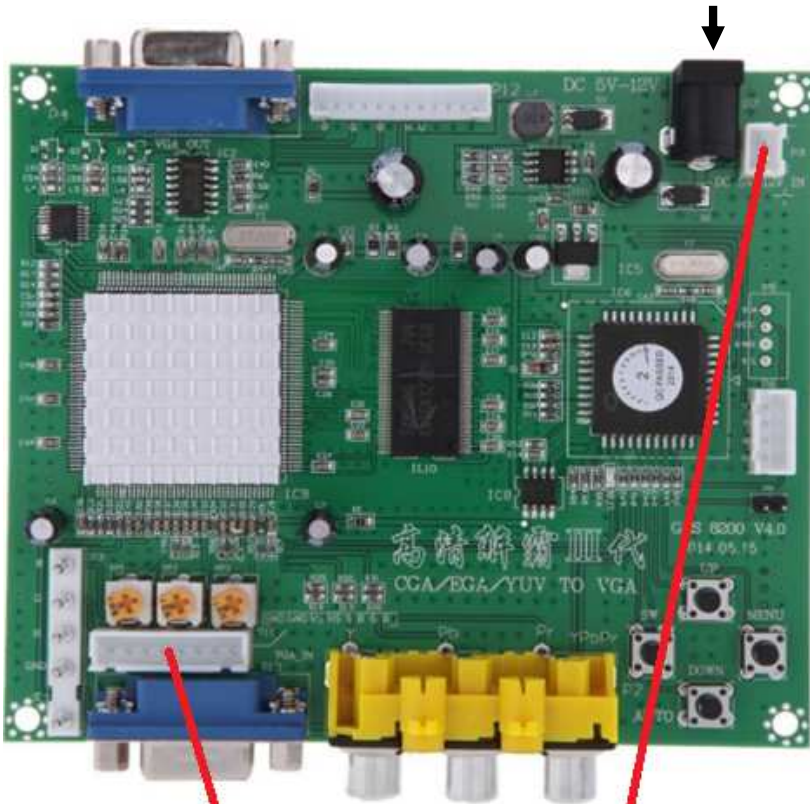


GBS-8220

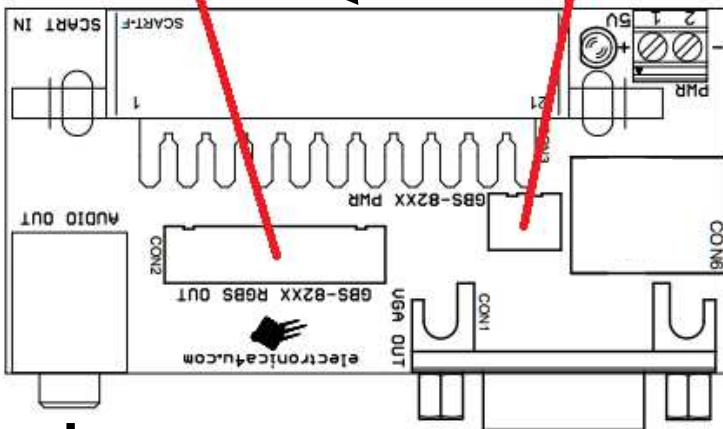
Both versions have the necessary sockets in the same places.

Connection wire to GBS-82XX (DC power supply only 5V !)

5V from Power supply

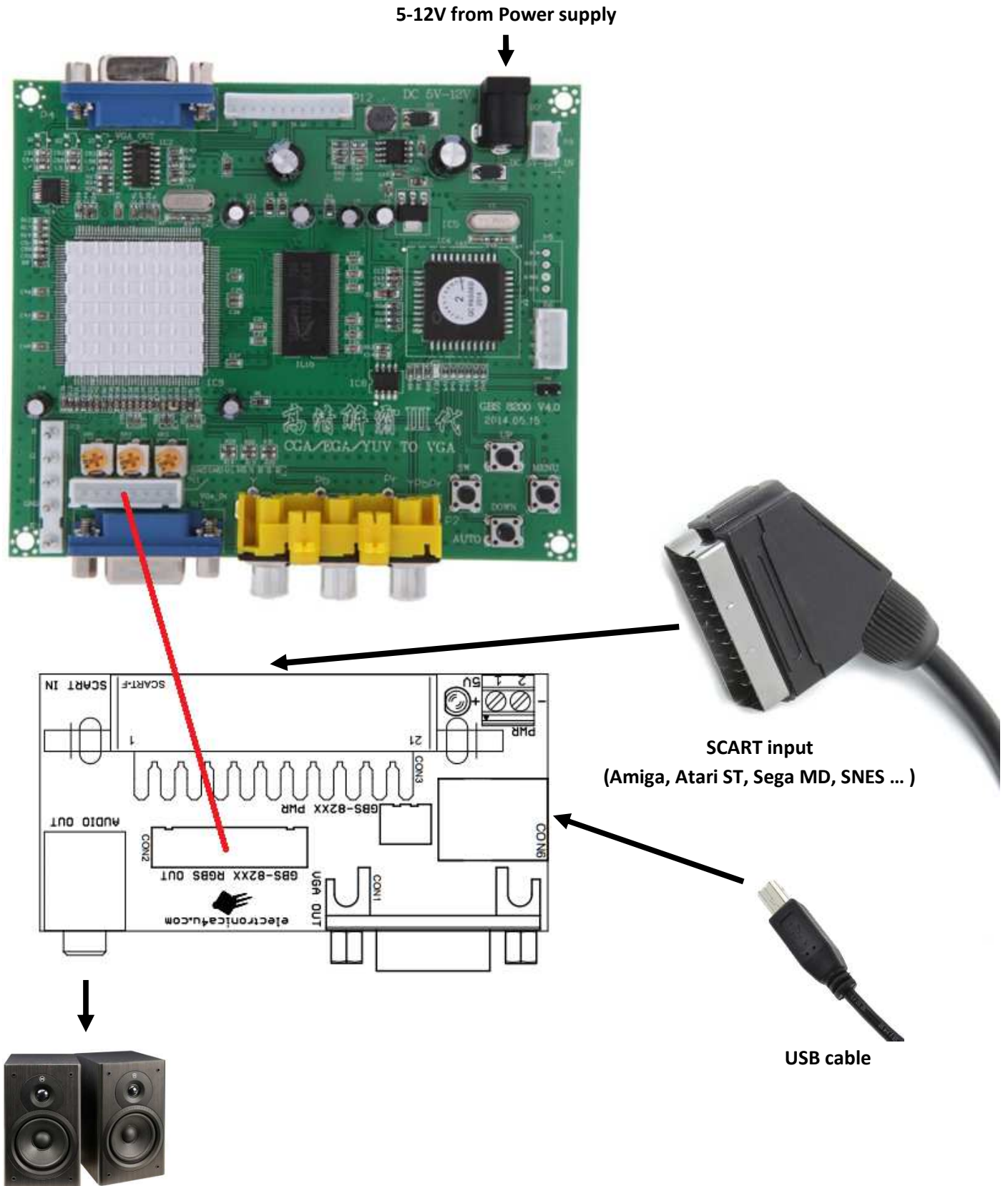


SCART input
(Amiga, Atari ST, Sega MD, SNES ...)



Adapter gets power from 2 pin socket and deliver RGBS signal.

Connection wire to GBS-82XX (separate power supply)

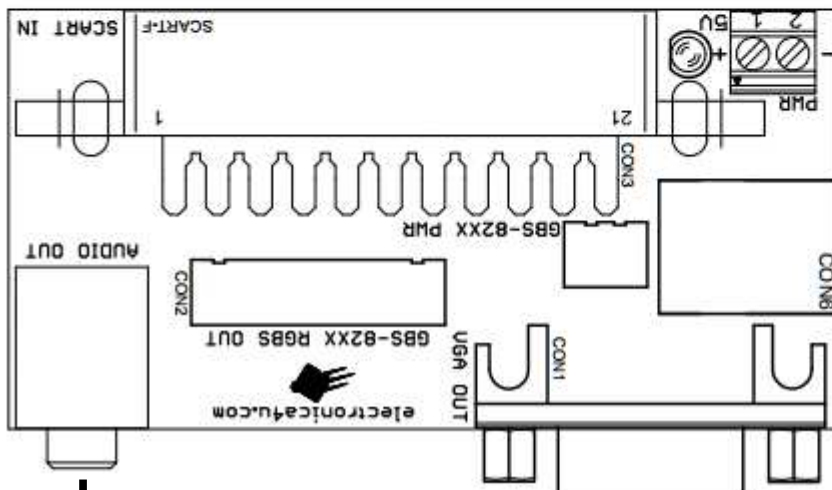


Power supply GBS-82XX via USB (from the adapter) is not recommended due to the large current consumption.

Connection wire to VGA monitor (15KHz support)



**SCART input
(Amiga, Atari ST, Sega MD, SNES ...)**



USB cable



**VGA monitor (15KHz support)
like Dell U2412M , Benq BL702 ...**